

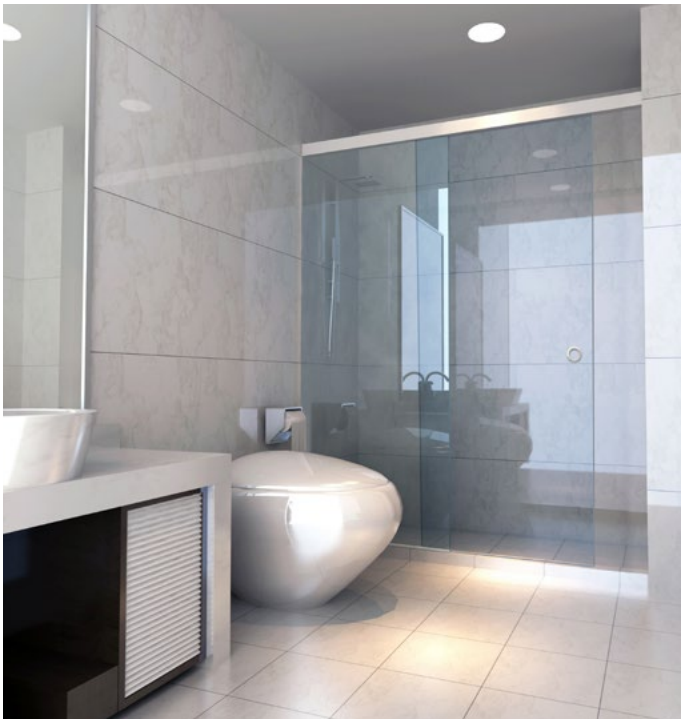
KLEIN

Sliding door with glass sidelites



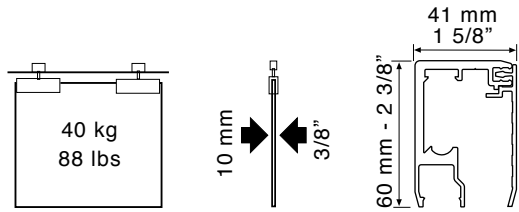
ROLLGLASS®

Sliding Glass Doors With Fixed Panels
Puerta Corredera de Vidrio con Paneles Fijos



ROLLGLASS® RECESSED

ROLLGLASS® 40 SIDE MOUNTED



ENG

Rollglass® is designed to divide space through a series of fixed and sliding frameless glass panels. The glass panels allow increasing light sharing feature into rooms and creating a modern and clean design.

- Ideal for office fronts, conference rooms, bathrooms and bedrooms entrances, showers enclosures, etc.
- Minimalist design with a compact clear anodized track accomodating panels up to 10' high.
- Single extrusion to combine fixed and sliding glass panels for easier and faster installation.
- Clipped valance for a quick installation.
- Clear opening free of floor tracks.
- Minimal gap between fixed and sliding panels to enhance aesthetic and acoustical features.
- Glass panels held through high weight capacity pressure clamps with no glass drillings (use of tempered or laminated glass) up to 385 lbs.
- Use of 3/8" and 1/2" glass doors.
- Clear anodized aluminium finish.
- Ball bearing system for quiet and soft opening.
- Ceiling, recessed or dropped ceiling mount.

Systems tested up to 100.000 cycles as per European standard EN1527.

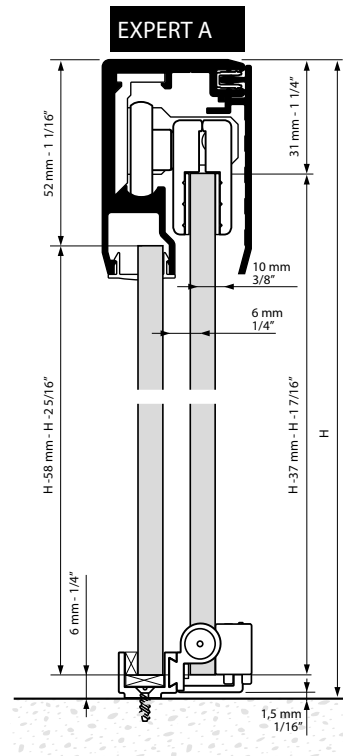
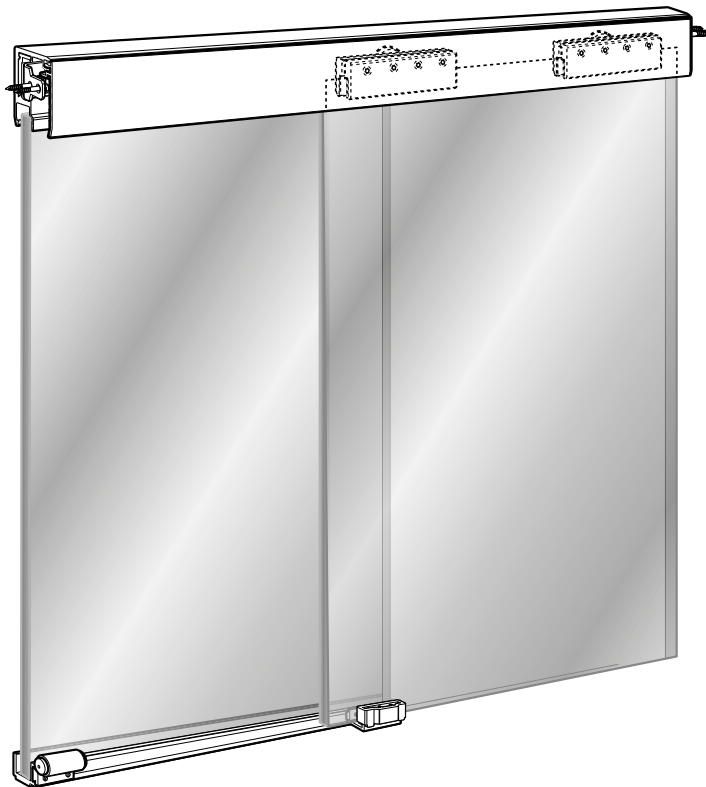
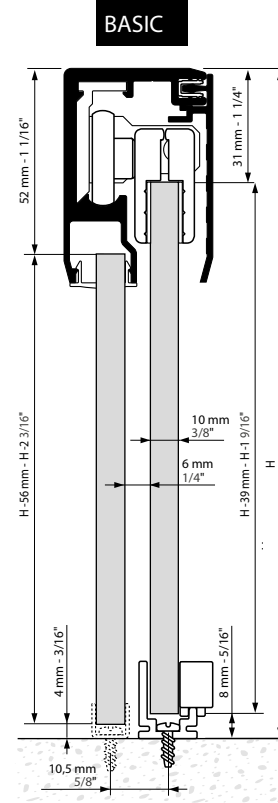
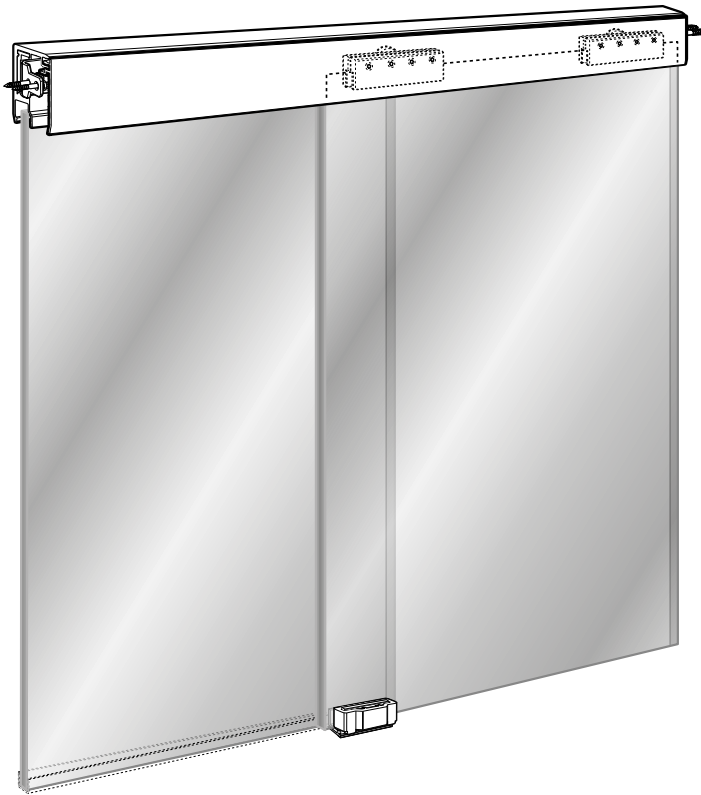
ESP

Rollglass® está diseñado para la división de espacios a través de una pared de cristal combinando paneles fijos y correderos. Adecuado tanto para obras comerciales, residenciales u hoteleras.

- Ideal para división de oficinas, salas de conferencia, baños, habitaciones, duchas...
- Sistema compacto para un diseño minimalista.
- Perfil único que combina paneles fijos y correderos para una instalación sencilla.
- Galería clipada para una instalación rápida.
- Zona de paso limpia sin riel en el suelo.
- Mínima separación entre vidrio fijo y corredero garantiza mayor estética.
- Sujeción de la puerta mediante mordazas a presión sin mecanización del cristal (vidrio templado o laminado).
- Vidrio de 10 y 12 mm hasta 175 Kg.
- Perfil de aluminio anodizado "Silver Mariner" (AA10 ISO 7599, 20 micras).
- Rodamientos de bolas para apertura suave.
- Instalación a techo o falso techo.

Sistemas testados con 100.000 ciclos según la norma EN1527.

ROLLGLASS® 40 SIDE MOUNTED



Dimensions that are in mm are exact; those in inches are approximate.

REFERENCES / REFERENCIAS

ENG

ROLLGLASS® 40 Side mounted		
Ref.	Description	Img.
1960	KIT ROLLGLASS 40 78" TRACK SIDE MOUNTED BASIC (3/8" GLASS)	A
1962	KIT ROLLGLASS 40 78" TRACK SIDE MOUNTED EXPERT A (3/8" GLASS)	B
8572	EDGE SEALING 118"	C

ESP

ROLLGLASS® 40 Side Mounted		
Ref.	Descripción	Img.
1960	KIT ROLLGLASS 40 78" PERFIL SIDE MOUNTED BASIC (3/8" VIDRIO)	A
1962	KIT ROLLGLASS 40 78" PERFIL SIDE MOUNTED EXPERT A (3/8" VIDRIO)	B
8572	JUNTA SALVACANTOS 118"	C



A



B



C

KLEIN

KLEIN USA, Inc.*
1 Madison Street
East Rutherford, NJ 07073

Phone: 973 246 8181
Fax: 973 246 8362
info@klein-usa.com
www.klein-usa.com

Follow us on social media
Siguenos en redes

