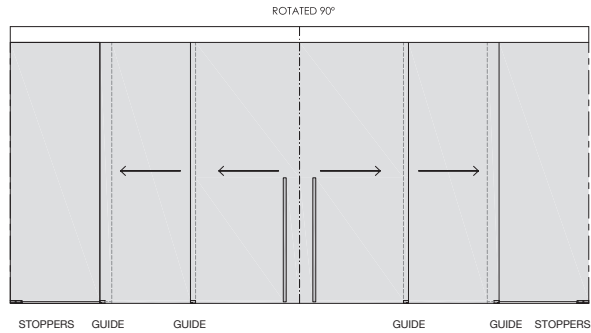


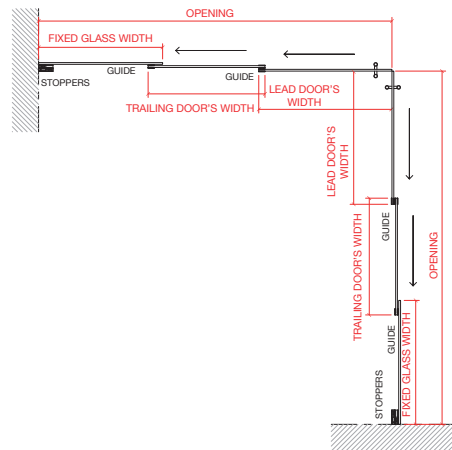
## Plan & elevation views

CLOSED POSITION

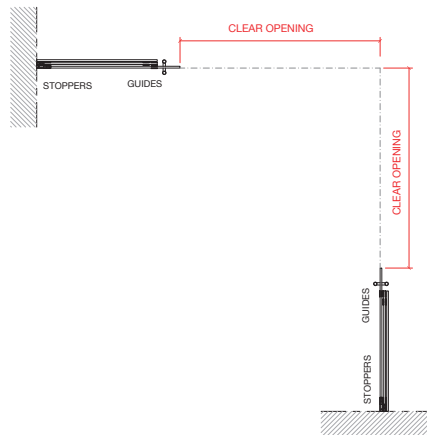


OPENED POSITION

ELEVATION (View from inside office)

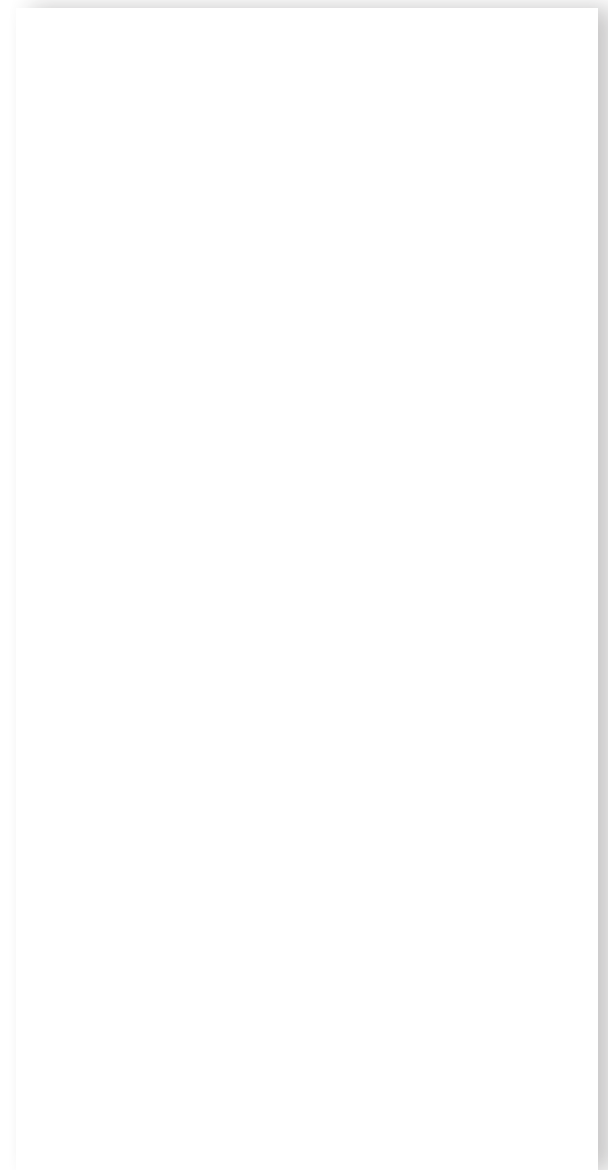


PLAN VIEW



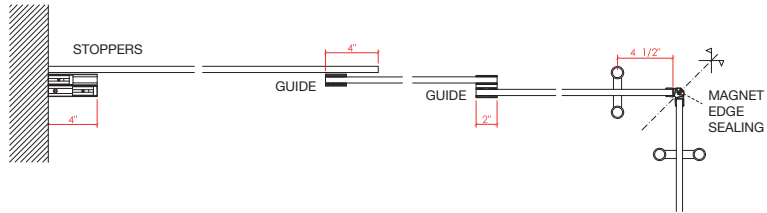
PLAN VIEW

## Project information

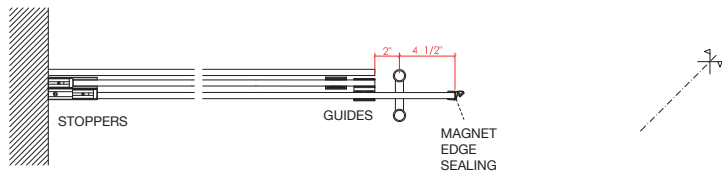


# Door details with bar handle

## CLOSED POSITION

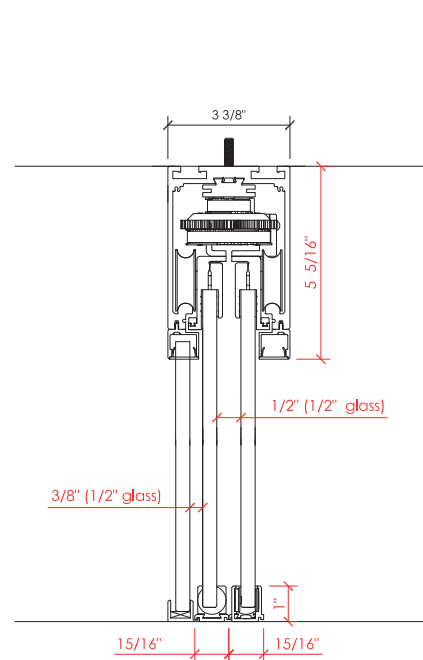


## OPENED POSITION



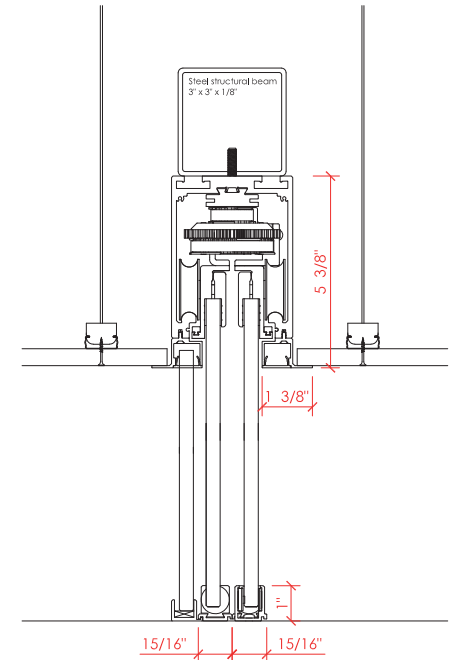
# Sections

## TRACK AT CEILING EXPOSED TRACK



**KLEIN EXTENDO CORNER**  
SLIDING TELESCOPIC DOOR SYSTEM  
DOOR STOPPS TO BE PLACED PRIOR  
TO INSTALLING THE TRACK

## TRACK AT CEILING RECESSED TRACK



**KLEIN EXTENDO CORNER**  
SLIDING TELESCOPIC DOOR SYSTEM  
DOOR STOPPS TO BE PLACED PRIOR  
TO INSTALLING THE TRACK