

KLEIN

Bi passing doors



KT GLASS

Single Sliding Glass Door
Puerta Corredera De Vidrio Única



KT GLASS

KT GLASS 80

ENG

KT Glass is designed to divide space through bi-passing or heavy duty frameless glass doors in residential, commercial and hospitality projects.

- Ideal for closets, library, office entrances, etc...
- Heavy duty track holding panels up to 11' high or 7' wide.
- Clear opening free of floor tracks.
- Minimal gap between the doors in bi-passing application to enhance aesthetic and acoustical features.
- Glass panels held through high weight capacity pressure clamps with no glass drillings (use of tempered or laminated glass).
- Use of 3/8" and 1/2" glass panels for doors up to 400lbs.
- Mill finish steel track (KT Glass 80) or clear anodized aluminium profile (AA10 ISO 7599, 20 microns), (KT Glass Expert).
- Ball bearing system (KT Glass 80) or Full Ball Bearings (KT Glass Expert).
- Wall or ceiling mounted.

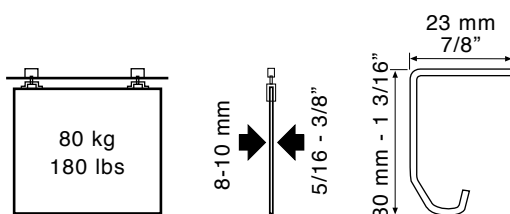
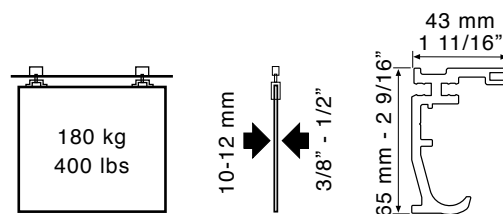
Systems tested up to 100.000 cycles as per European standard EN1527.

ESP

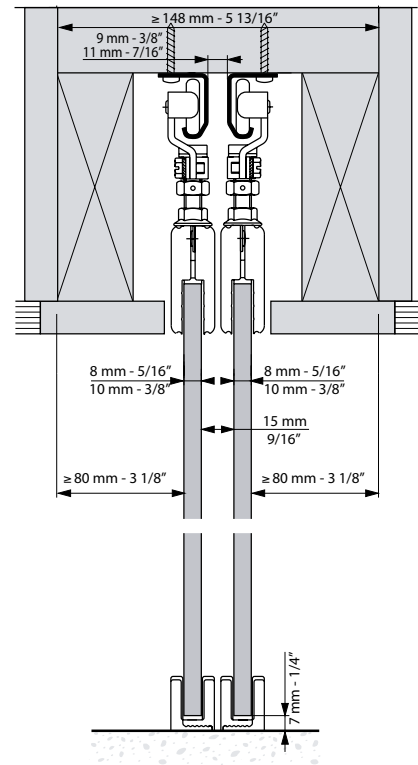
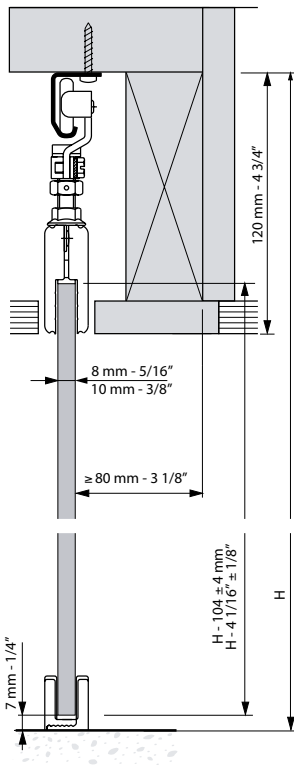
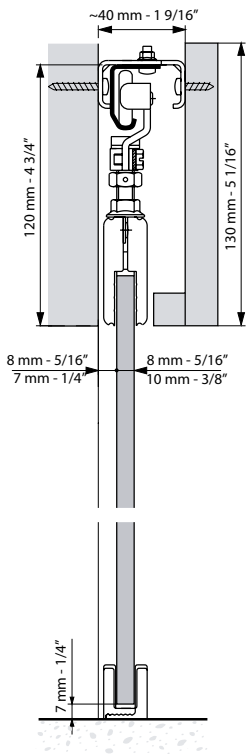
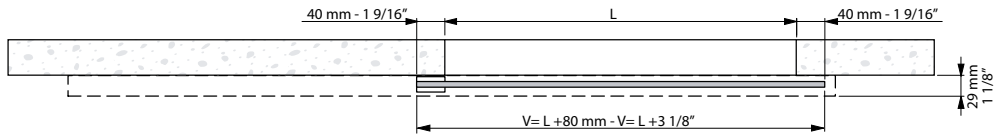
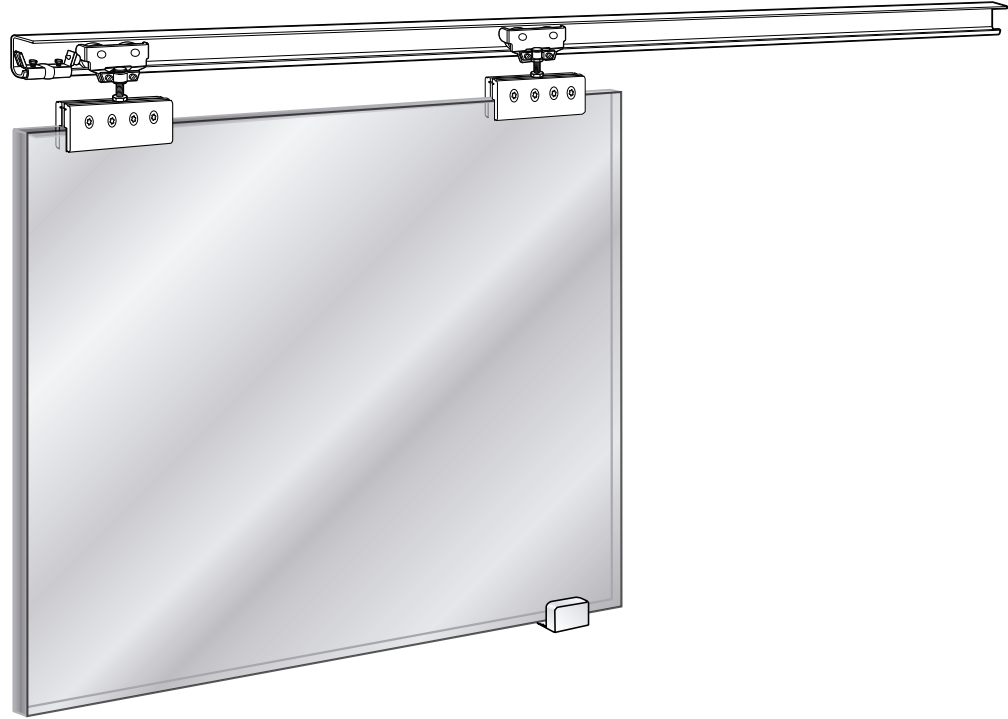
KT Glass está diseñado para la instalación de un panel de vidrio sin marco con sistema de sujeción tradicional para conseguir un diseño industrial.

- Ideal para vestidores, librería y entradas de oficinas, etc...
- Perfil robusto que soporta puertas de hasta 11' de alto o 7" de ancho. Zona de paso limpia sin riel en el suelo.
- Sujeción de la puerta mediante mordazas a presión sin mecanización del cristal (vidrio templado y laminado).
- Sujeción de la puerta mediante mordazas a presión sin mecanización del cristal (vidrio templado y laminado).
- Vidrio de 10 y 12 mm hasta 180 Kg.
- Perfil superior en acero "Neocrom" (KT Glass 80) o en aluminio anodizado "Silver Mariner" (AA10 ISO 7599, 20 micras), (KT Glass Expert).
- Rodamientos de bolas (KT Glass 80) o "Full Ball Bearings" (KT Glass 180 Expert).
- Instalación a pared o a techo.

Sistemas testados hasta 100.000 ciclos según la norma EN1527.

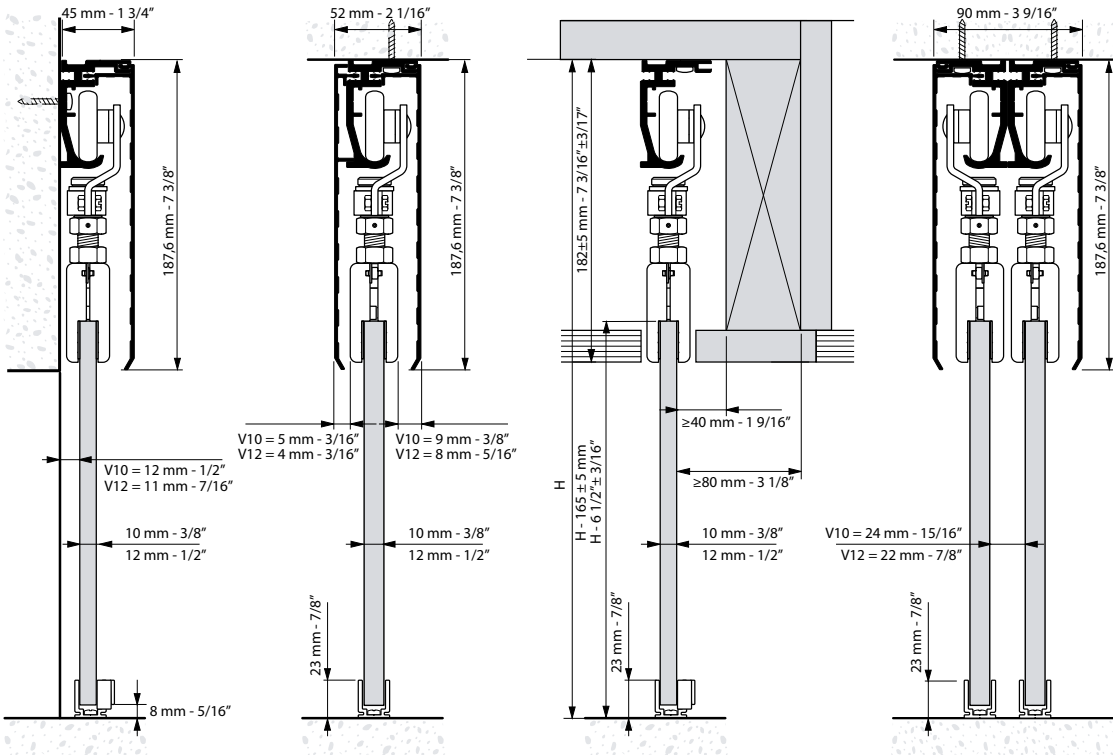
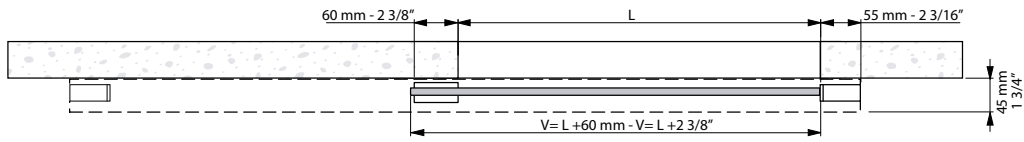
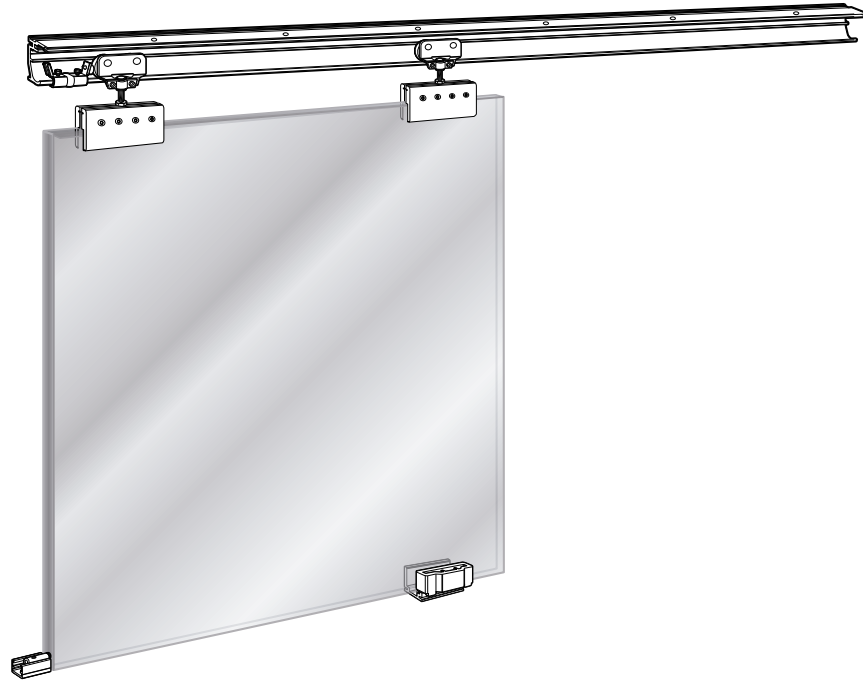
KT GLASS 80**KT GLASS 180 EXPERT**

KT GLASS 80



Dimensions that are in mm are exact; those in inches are approximate.

KT GLASS 180 EXPERT



Dimensions that are in mm are exact; those in inches are approximate.

REFERENCES / REFERENCIAS

ENG

KT GLASS 80		
Ref.	Description	Img.
1921	KIT KT GLASS 80 118" TRACK (5/16"-3/8" GLASS)	A+B
8572	EDGE SEALING 118"	F

KT GLASS 180 EXPERT		
Ref.	Description	Img.
8141	KIT KT GLASS 180 EXPERT 157" TRACK (3/8"-1/2" GLASS)	C+D
8656	VALANCE KT GLASS 180 EXPERT 157"	E
8572	EDGE SEALING 118"	F

ESP

KT GLASS 80		
Ref.	Descripción	Img.
1921	KIT KT GLASS 80 118" PERFIL (5/16"-3/8" VIDRIO)	A+B
8572	PERFIL MARCO 118"	F

KT GLASS 180 EXPERT		
Ref.	Descripción	Img.
8141	KIT KT GLASS 180 EXPERT 157" PERFIL (3/8"-1/2" VIDRIO)	C+D
8656	GALERIA KT GLASS 180 EXPERT 157"	E
8572	PERFIL MARCO 118"	F



A



B



C



D



E



F

KLEIN

KLEIN USA, Inc.®
1 Madison Street
East Rutherford, NJ 07073

Phone: 973 246 8181
Fax: 973 246 8362
info@klein-usa.com
www.klein-usa.com

Follow us on social media
Síguenos en redes

