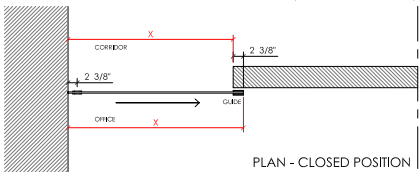
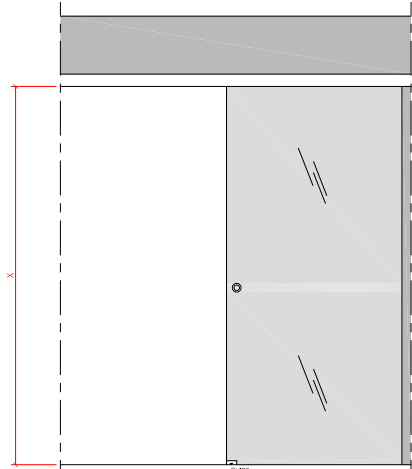


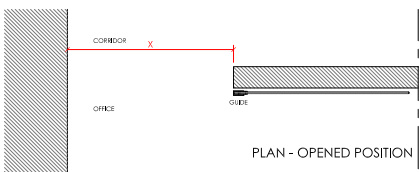
ELEVATION - CLOSED POSITION
(VIEW FROM INSIDE OFFICE)



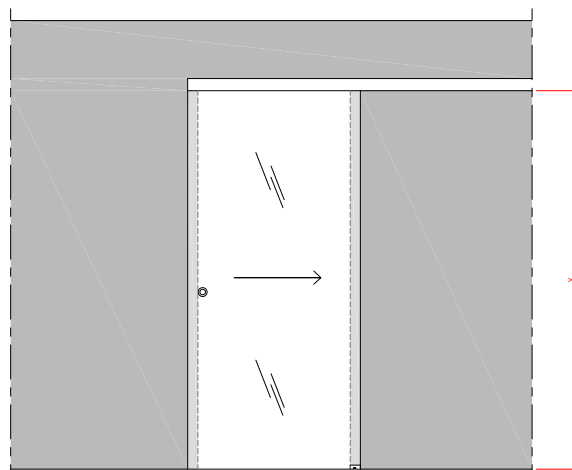
PLAN - CLOSED POSITION



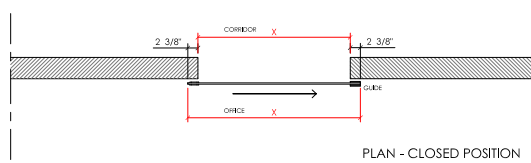
ELEVATION - OPENED POSITION
(VIEW FROM INSIDE OFFICE)



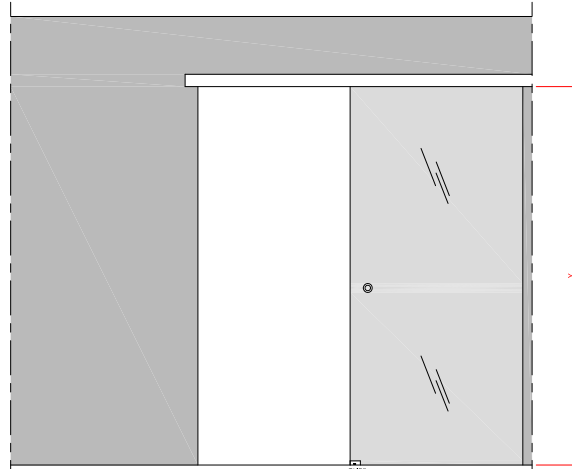
PLAN - OPENED POSITION



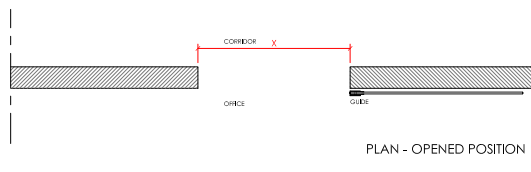
ELEVATION - CLOSED POSITION
(VIEW FROM INSIDE OFFICE)



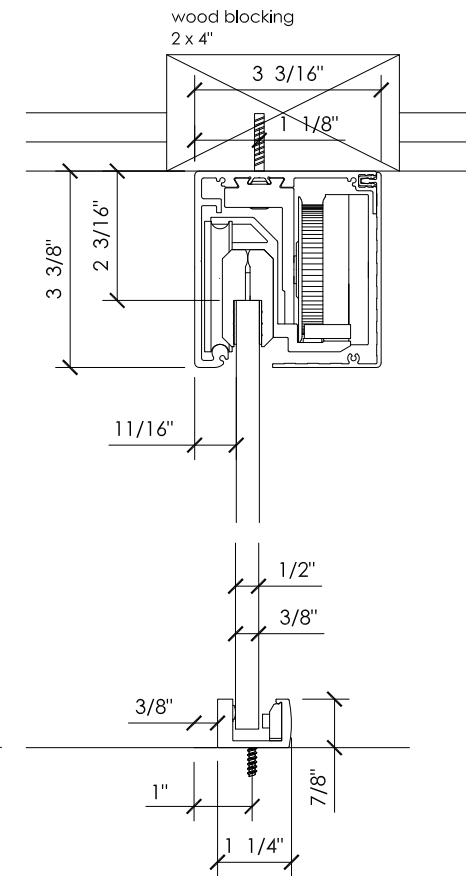
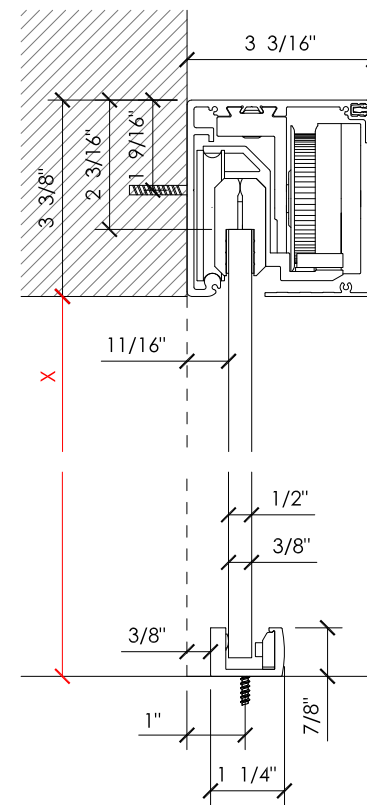
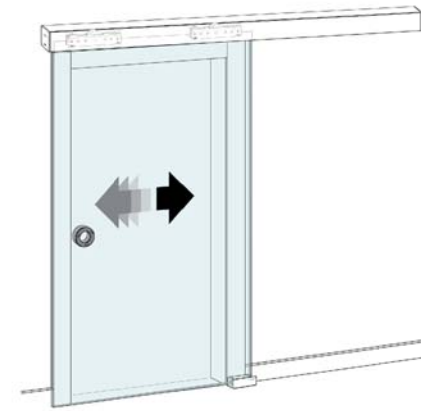
PLAN - CLOSED POSITION

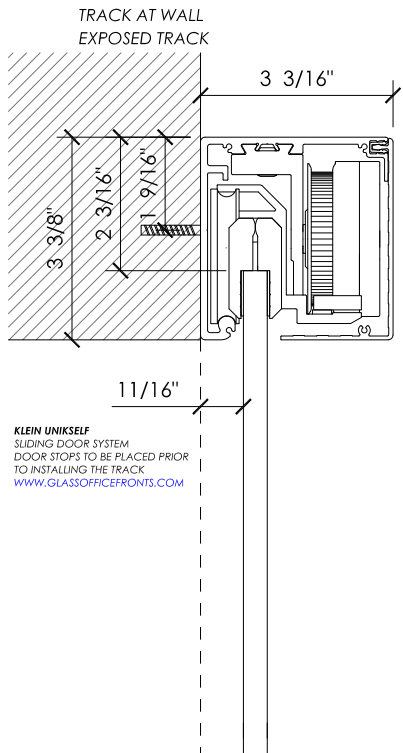


ELEVATION - OPENED POSITION
(VIEW FROM INSIDE OFFICE)



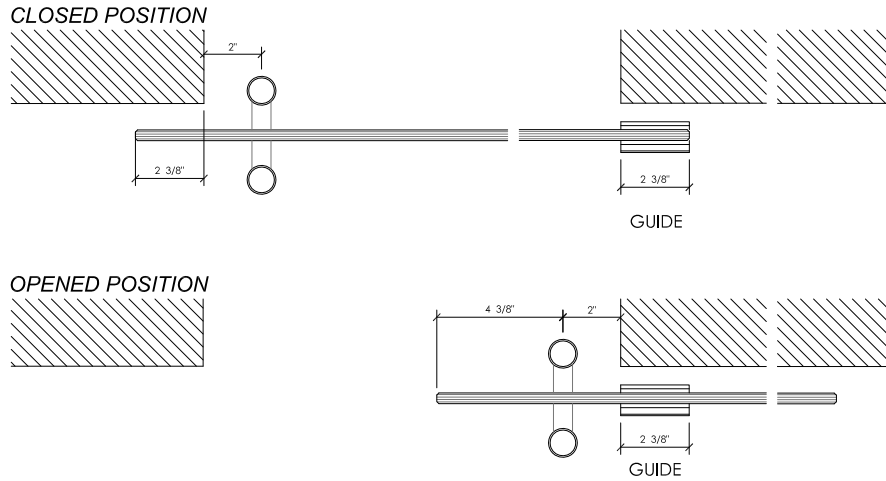
PLAN - OPENED POSITION



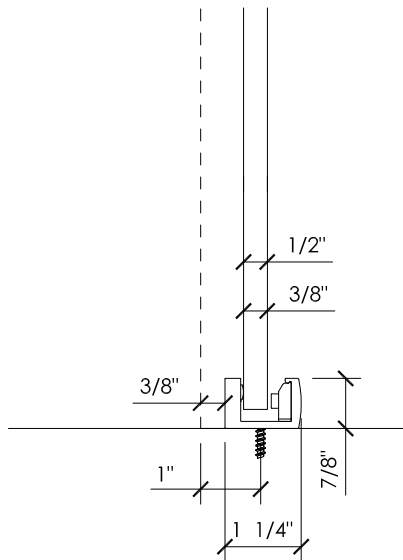
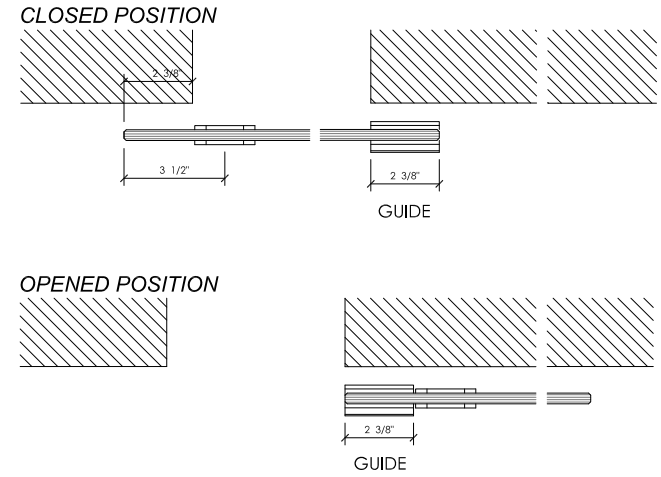


KLEIN UNIKSELF
SLIDING DOOR SYSTEM
DOOR STOPS TO BE PLACED PRIOR
TO INSTALLING THE TRACK
WWW.GLASSOFFICEFRONTS.COM

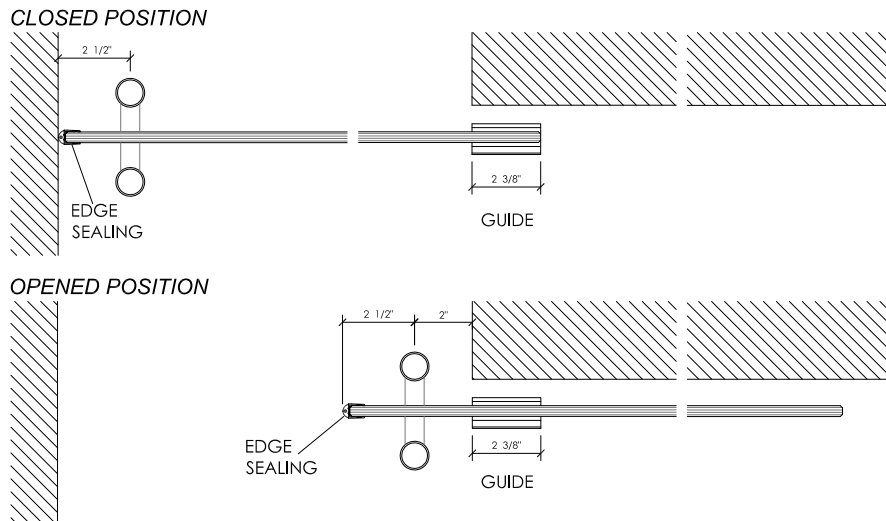
SLIDING DOOR WITH 2 SIDE WALLS DOOR DETAILS WITH BAR HANDLE



SLIDING DOOR WITH 2 SIDE WALLS DOOR DETAILS WITH ROUND PULL



SLIDING DOOR CLOSING TO A WALL DOOR DETAILS WITH BAR HANDLE



SLIDING DOOR CLOSING TO A WALL DOOR DETAILS WITH ROUND PULL

