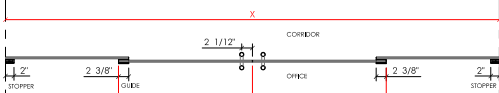
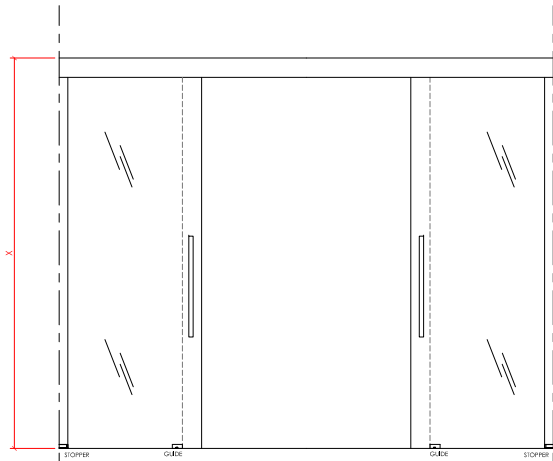


ELEVATION - CLOSED POSITION
(VIEW FROM INSIDE OFFICE)



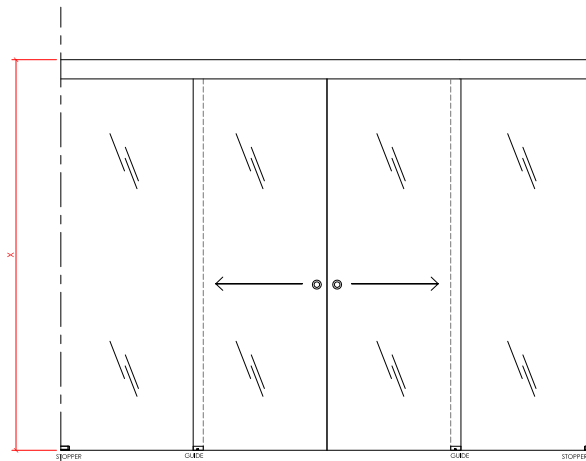
PLAN - CLOSED POSITION



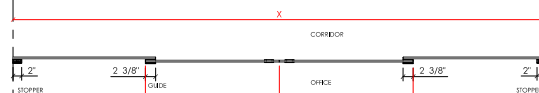
ELEVATION - OPENED POSITION
(VIEW FROM INSIDE OFFICE)



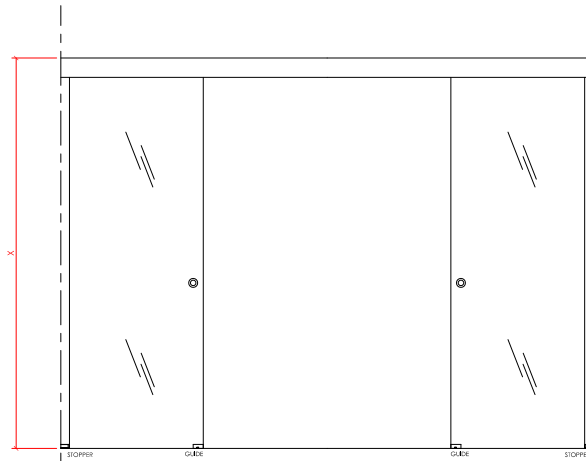
PLAN - OPENED POSITION



ELEVATION - CLOSED POSITION
(VIEW FROM INSIDE OFFICE)



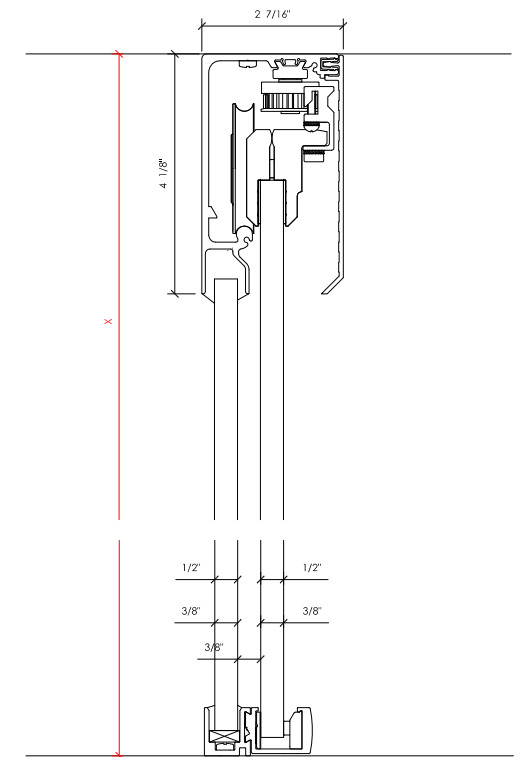
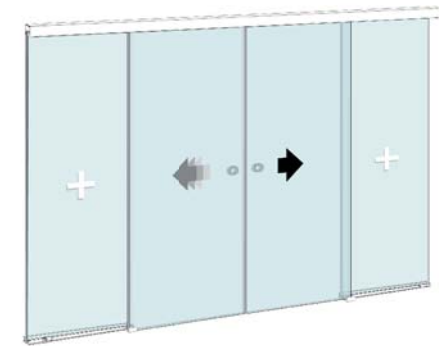
PLAN - CLOSED POSITION



ELEVATION - OPENED POSITION
(VIEW FROM INSIDE OFFICE)



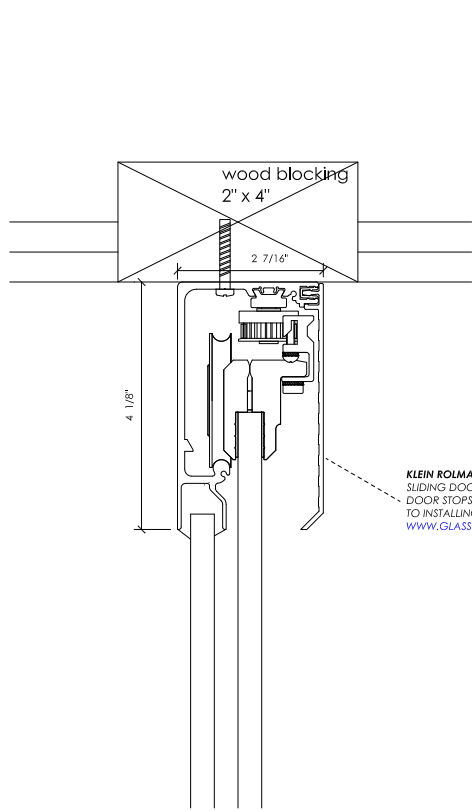
PLAN - OPENED POSITION



ROLMATIC GLASS OFFICE FRONTS

KLEIN®

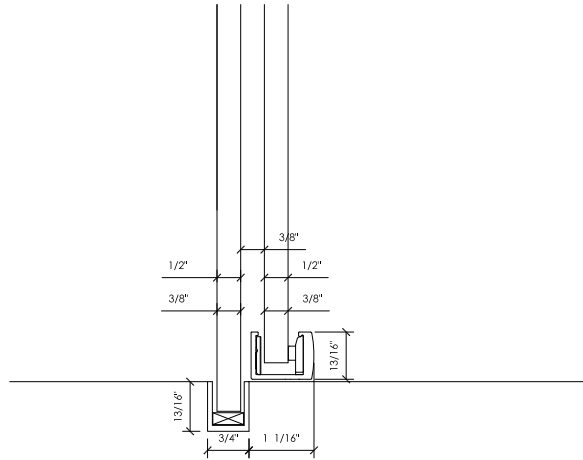
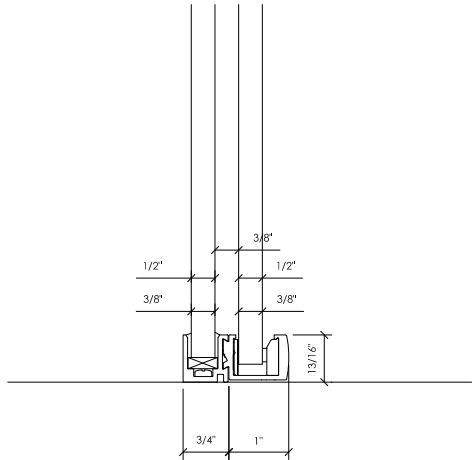
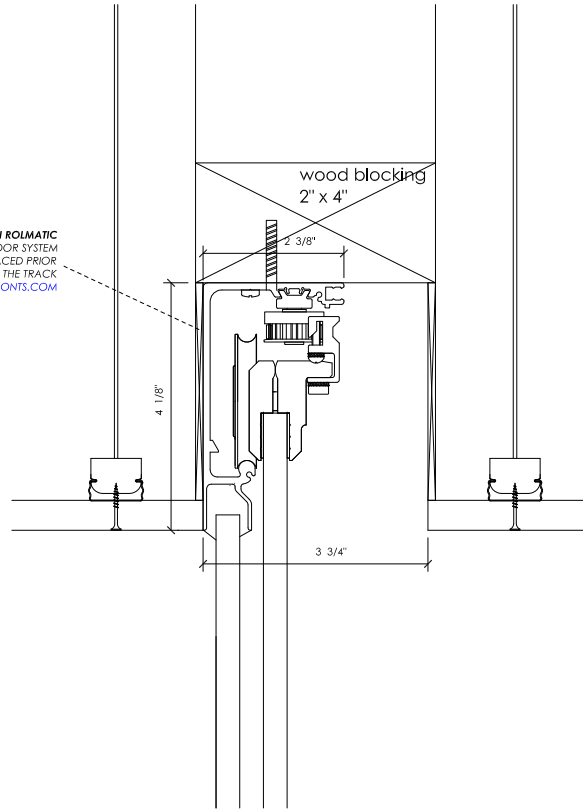
EXPOSED TRACK



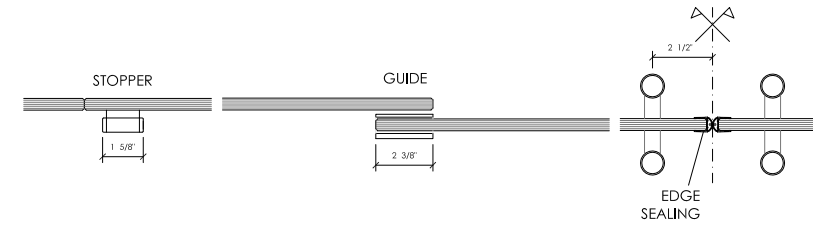
KLEIN ROLMATIC
SLIDING DOOR SYSTEM
DOOR STOPS TO BE PLACED PRIOR
TO INSTALLING THE TRACK
WWW.GLASSOFFICEFRONTS.COM

KLEIN ROLMATIC
SLIDING DOOR SYSTEM
DOOR STOPS TO BE PLACED PRIOR
TO INSTALLING THE TRACK
WWW.GLASSOFFICEFRONTS.COM

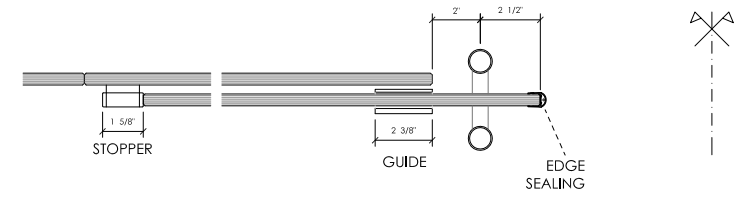
RECESSED TRACK



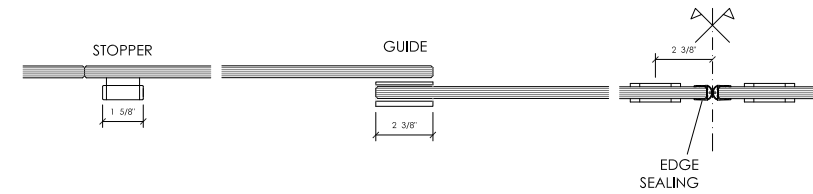
DOOR DETAILS WITH BAR HANDLE - CLOSED POSITION



DOOR DETAILS WITH BAR HANDLE - OPENED POSITION



DOOR DETAILS WITH ROUND PULL - CLOSED POSITION



DOOR DETAILS WITH ROUND PULL - OPENED POSITION

