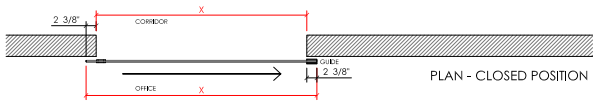
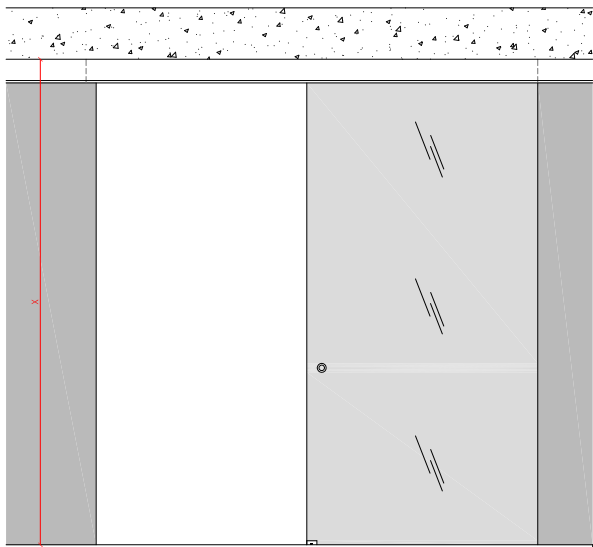


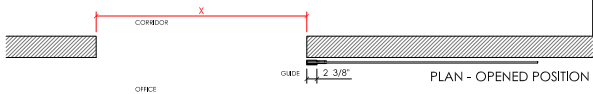
ELEVATION - CLOSED POSITION
(VIEW FROM INSIDE OFFICE)



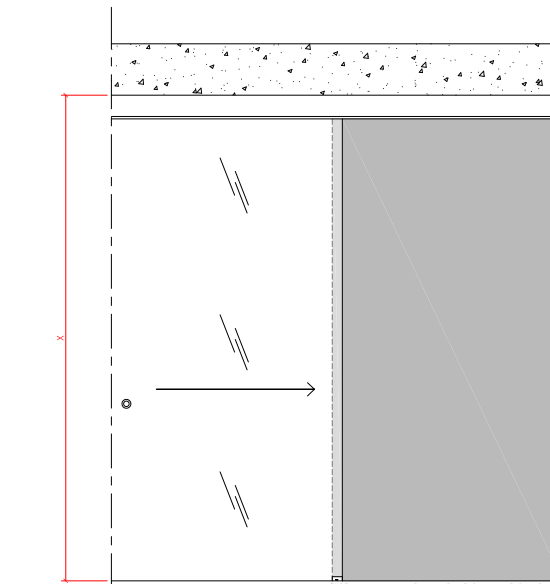
PLAN - CLOSED POSITION



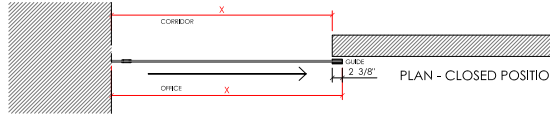
ELEVATION - OPENED POSITION
(VIEW FROM INSIDE OFFICE)



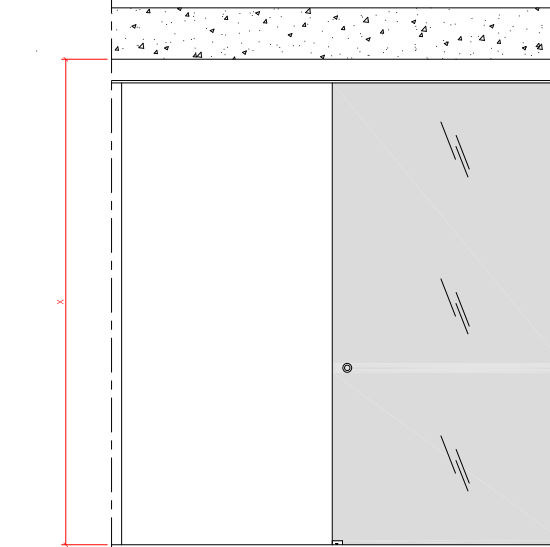
PLAN - OPENED POSITION



ELEVATION - CLOSED POSITION
(VIEW FROM INSIDE OFFICE)



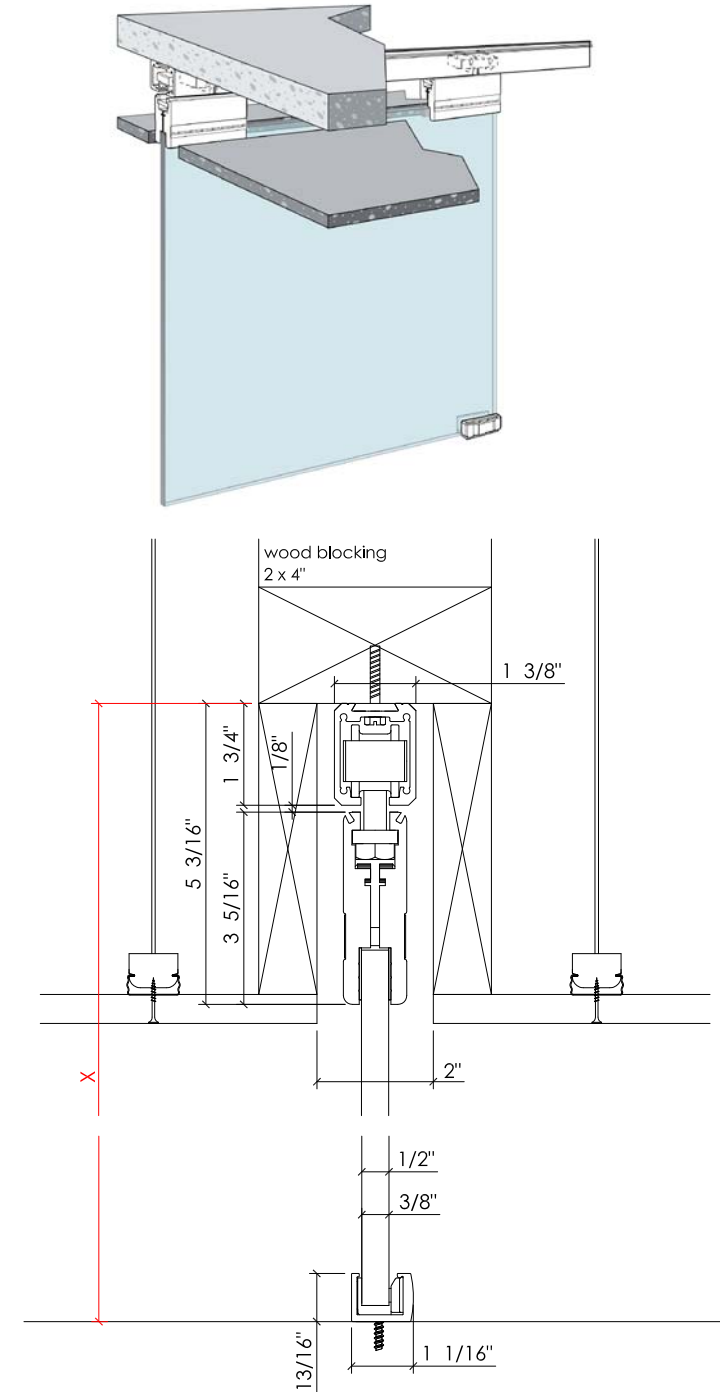
PLAN - CLOSED POSITION



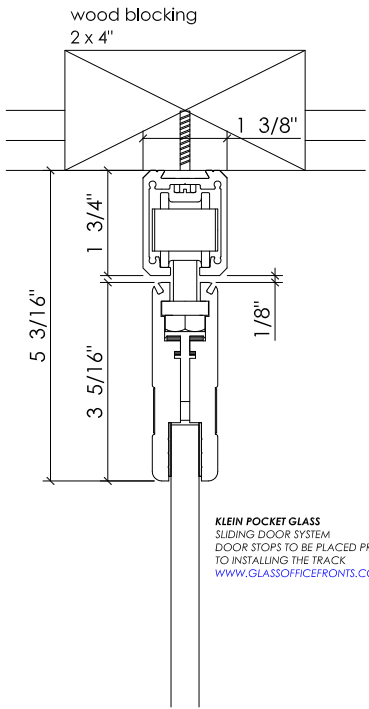
ELEVATION - OPENED POSITION
(VIEW FROM INSIDE OFFICE)



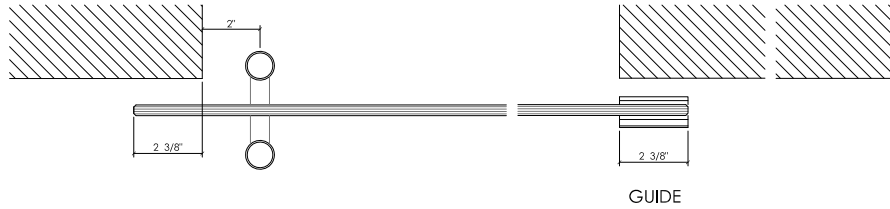
PLAN - OPENED POSITION



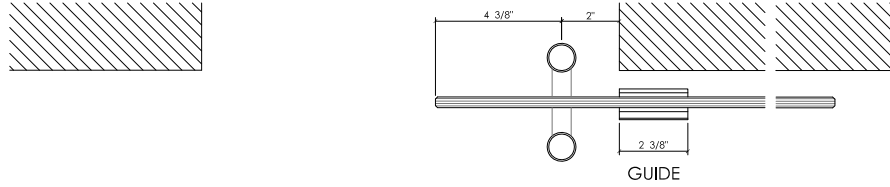
SLIDING DOOR WITH 2 SIDE WALLS
DOOR DETAILS WITH BAR HANDLE



CLOSED POSITION

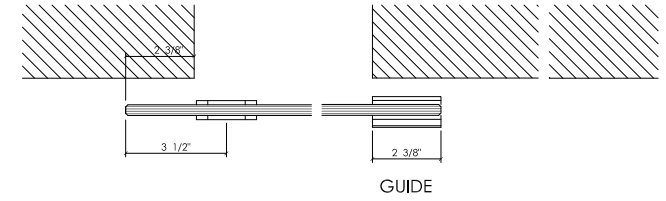


OPENED POSITION

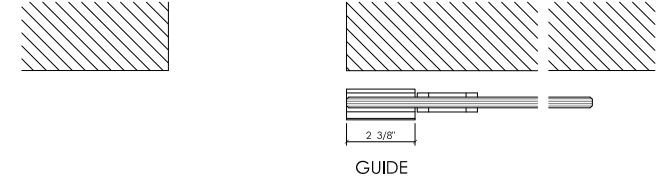


SLIDING DOOR WITH 2 SIDE WALLS
DOOR DETAILS WITH ROUND PULL

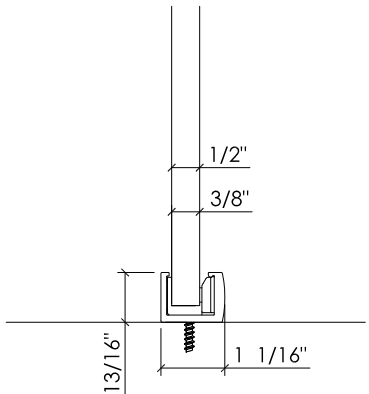
CLOSED POSITION



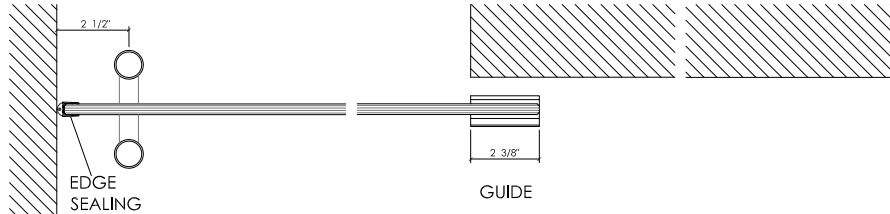
OPENED POSITION



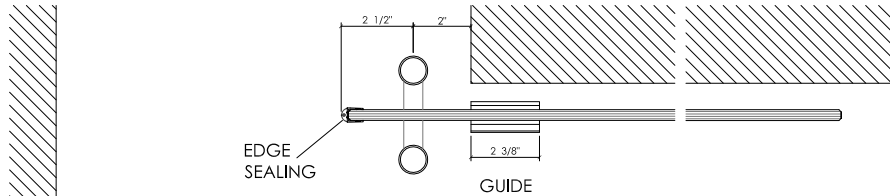
SLIDING DOOR CLOSING TO A WALL
DOOR DETAILS WITH BAR HANDLE



CLOSED POSITION

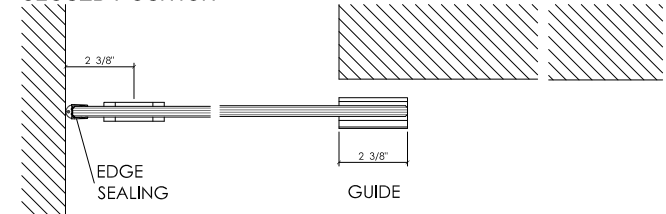


OPENED POSITION



SLIDING DOOR CLOSING TO A WALL
DOOR DETAILS WITH ROUND PULL

CLOSED POSITION



OPENED POSITION

